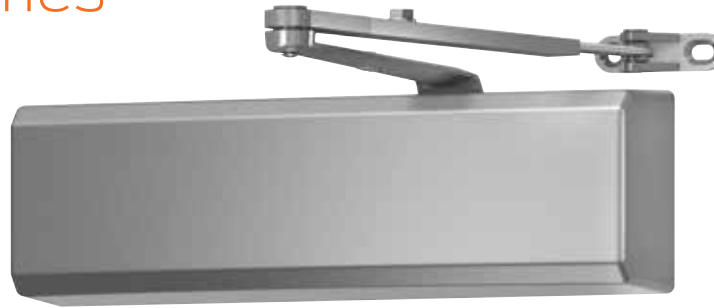


# 4050A Series



The 4050A Series cast aluminum closer is engineered for durability and built tough to excel in the harsh environments of high frequency, high abusive traffic areas. Featuring the most common commercial footprint, it is ideal for commercial building applications that demand a combination of quality, reliability and value.

## Features

<b>Certifications</b>	Grade 1 - ANSI A156.4, UL 10C, ADA, 100 hour salt spray, meets BAA - Buy American Act
<b>Body construction</b>	<ul style="list-style-type: none"> <li>Cast aluminum body</li> <li>Full complement bearing</li> <li>1 1/2" diameter piston</li> <li>1/16" diameter double heat treated pinion journal</li> </ul>
<b>Fluid</b>	All weather liquid X fluid
<b>Handing</b>	Non-handed
<b>Templating</b>	2 3/8" x 6 3/4" mounting hole pattern
<b>Size</b>	Adjustable spring size 1-6
<b>Warranty</b>	25 years

<b>Cover</b>	<ul style="list-style-type: none"> <li>Plastic Cover (PC), standard</li> <li>Metal Cover (MC), optional</li> </ul>
<b>Fasteners</b>	Self reaming and tapping screws (SRT)
<b>Mounting</b>	Hinge (pull side), top jamb (push side), parallel arm (push side)
<b>Arms</b>	Standard regular arm
<b>Finishes/colors/ powder coat</b>	<ul style="list-style-type: none"> <li>622 Matte black</li> <li>689 Aluminum</li> <li>690 Statuary bronze</li> <li>691 Light bronze</li> <li>693 Black</li> <li>695 Dark bronze</li> <li>696 Brass</li> <li>Custom colors optional</li> <li>Optional SRI primer - powder coat only</li> </ul>

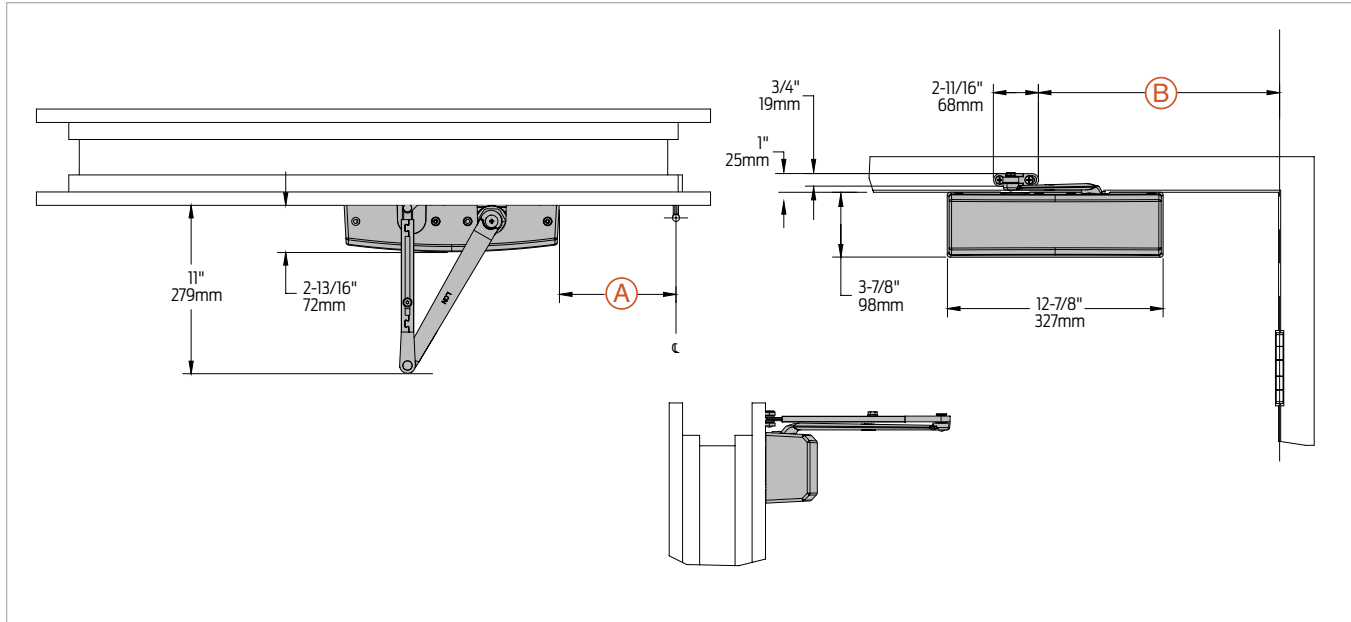
**Special templates** | Customized installation templates or products may be available to solve non-standard applications. Contact LCN Product Support for assistance.

Mounting	Finish	Cover	Cylinder	Arm function*
Hinge (pull) side Top jamb (pull) Top jamb (push) Parallel arm Stop face	Powder coat Plated Plastic Metal	Non-handed Non-sized Accessibility Delay Action*** CYL AVB**	180° 180° 180° 110° 110°	Regular (double) Standard (single) Hold Open Fusible Link EDA/HEDA CUSH/HCUSH SCUSH/SHCUSH Double Egress
■ Available ■ Not available	♿ Closer available with less than 5.0 lbs. opening force on 36" door. * Maximum opening/hold open point with standard template. ** Advanced Variable Back Check. *** Delay feature incorporates standard 4040 cylinder (not XP).			

Introduction  
 Product selection guide  
 4010/4010T Series  
 4020/4020T Series  
 4030/4030T Series  
 4040XP/4040XPT Series  
 4050A/4050AT Series  
 4110/4110T Series  
 4000T Series

## Mounting details

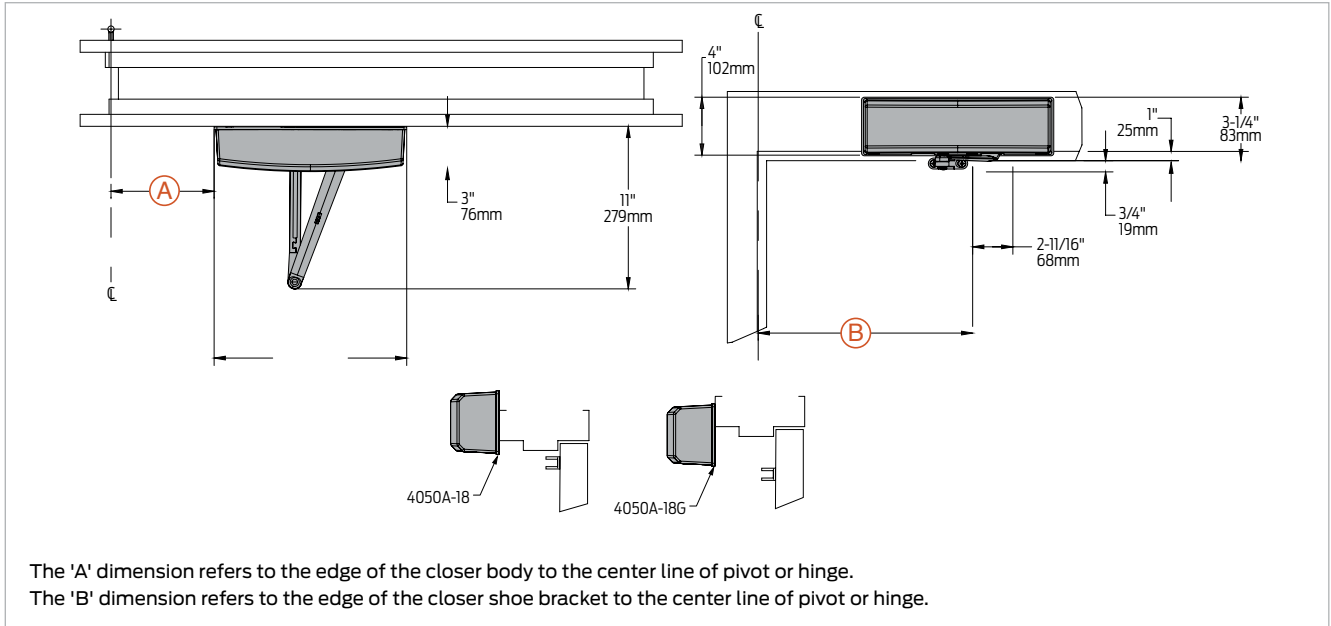
### Hinge (pull) side mounting



Butt hinges	Should not exceed 5" (127 mm) in width
Auxiliary stop	Recommended at hold open point or where a door cannot swing beyond templated maximum opening
Reveal	Should not exceed 3/4" (19 mm) for Regular Arm or Hold Open Arm
Top rail	<ul style="list-style-type: none"> <li>Less than 3 7/8" (98 mm) requires plate, 4050A-18.</li> <li>Plate requires 1 13/16" (44 mm) minimum</li> </ul>
Clearance	2 13/16" (72 mm) behind door required for 90° installation
Delay action	Delays closing from 180°-70° Delay time adjustable up to approximately 1 minute
Maximum opening	<ul style="list-style-type: none"> <li>Templating allows up to 180°</li> <li>Hold open points up to maximum opening with Hold Open Arm</li> </ul> <p>To 100°:     A = 5 5/8" (143mm)                   B = 11 1/4" (286mm)</p> <p>100° to 120°: A = 4 3/8" (111mm)                   B = 10" (254mm)</p> <p>120° to 150°: A = 3 5/8" (92mm)                   B = 9 1/4" (235mm)</p> <p>150° to 180°: A = 2 5/8" (67mm)                   B = 8 1/4" (210mm)</p>

## Mounting details

### Top jamb (push) side mounting

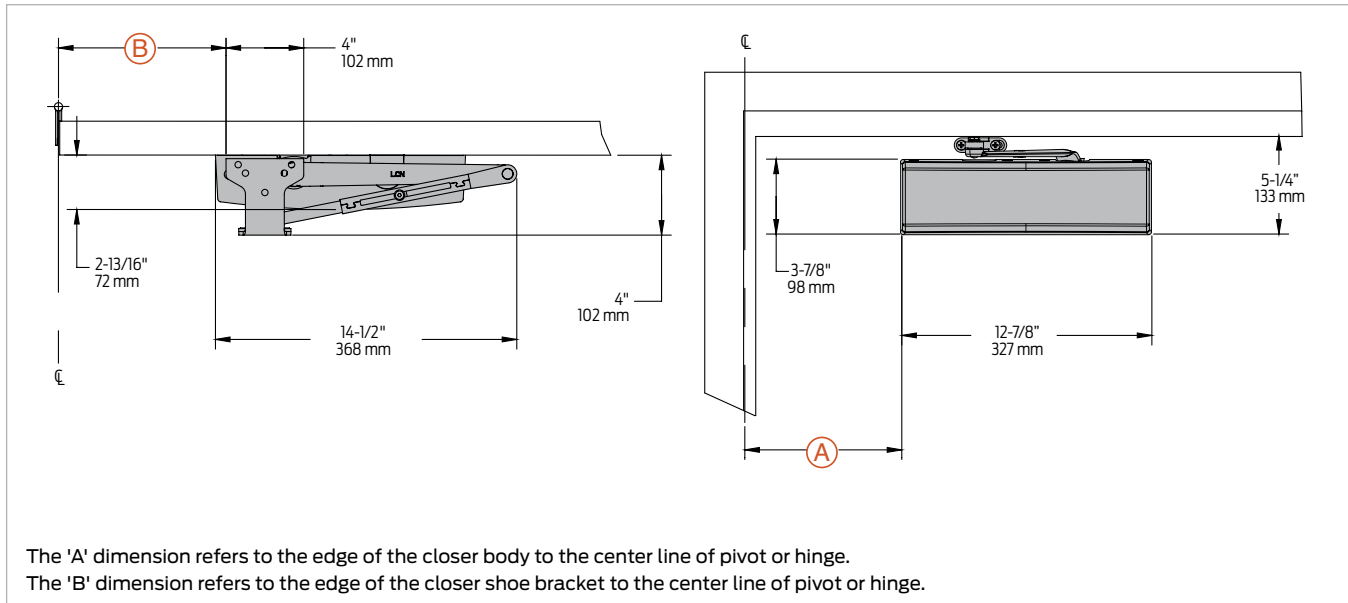


<b>Butt hinges</b>	Should not exceed 5" (127 mm) in width		
<b>Auxiliary stop</b>	Recommended at hold open point or where a door cannot swing beyond templated maximum opening		
<b>Reveal</b>	<b>Arm type</b>	<b>Reveal</b>	<b>Max opening</b>
	Regular Arm	2 9/16"	Up to 180°
	Long Arm	4 13/16"	Up to 165°
	Hold Open Arm	2 9/16"	Up to 180°
	Hold Open Long Arm	4 13/16"	Up to 155°
<b>Top rail</b>	<ul style="list-style-type: none"> <li>Closer on 4050-18 plate requires minimum 1 3/4" (45mm)</li> <li>Closer on 4050-18G plate requires minimum 3 3/8" (86mm)</li> </ul>		
<b>Head frame</b>	All top jamb installations require a plate <ul style="list-style-type: none"> <li>4050-18 plate requires minimum 3 1/4" (83mm) head frame and maximum stop height 5/8" (16mm)</li> <li>4050-18G plate requires minimum 1 5/8" (41mm) head frame</li> </ul>		
<b>Delay action</b>	Delay closing from 180° to 70°. Delay time adjustable up to approximately 1 minute.		
<b>Maximum opening</b>	<ul style="list-style-type: none"> <li>Templating allows up to 180°</li> <li>Hold open points up to maximum opening with Hold Open Arm</li> </ul>		
	To 100°:	A = 5 1/2" (140mm) B = 11 1/4" (286mm)	
	100° to 120°:	A = 4 1/4" (108mm) B = 10" (254mm)	
	120° to 150°:	A = 3 1/2" (89mm) B = 9 1/4" (235mm)	
	150° to 180°:	A = 2 1/2" (64mm) B = 8 1/4" (210mm)	

Introduction  
 Product selection guide  
 4010/4010T Series  
 4020/4020T Series  
 4030/4030T Series  
 4040XP/4040XPT Series  
 4050A/4050AT Series  
 4110/4110T Series  
 4000T Series

## Mounting details

### Parallel arm (push) side mounting

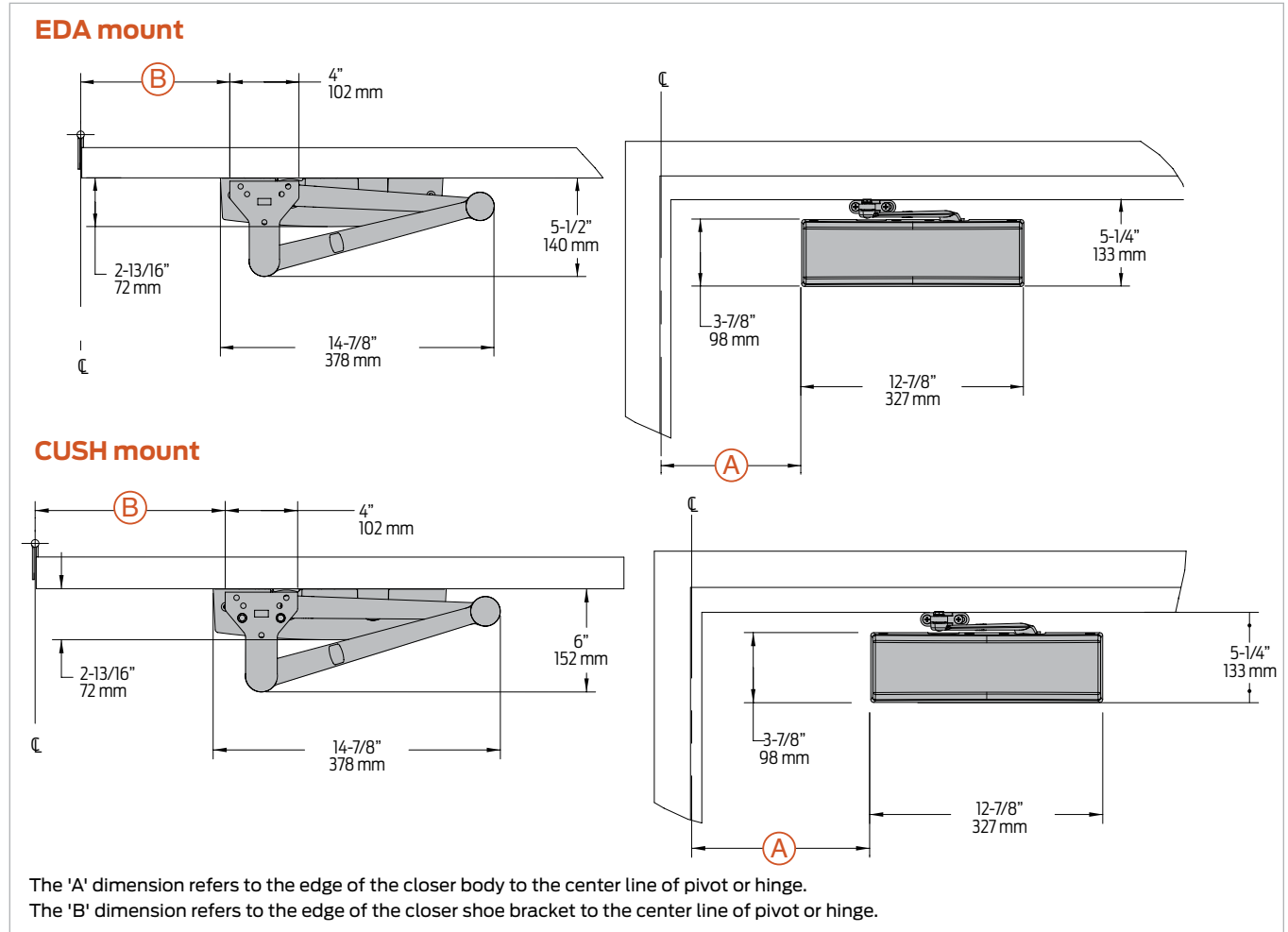


Butt hinges	Should not exceed 5" (127 mm) in width
Auxiliary stop	Recommended at hold open point, where the door cannot swing beyond templated maximum opening, or where Cush-n-Stop Arm is not used
Top rail	Less than 5 1/4" (133mm) measured from the stop requires plate, 4050A-18PA. Plate requires 2" (51mm) minimum from the stop.
Clearance	For 4050A-62PA shoe is 4" (102mm) from door face
Head frame	Flush or rabbeted requires PA shoe adapter, 4050A-419
Stop width	Minimum 1" (25mm)
Blade stop	Clearance requires 1/2" (13mm) blade stop spacer, 4050A-61
Delay action	Delays closing from 180°-70°. Delay time adjustable up to approximately 1 minute.
Auxiliary shoe	4050A-62A allows installation of Regular Arm with overhead holder/stop
Maximum opening	To 100°: A = 7 3/8" (187mm) B = 8 3/8" (213mm)
	100° to 130°: A = 6 3/8" (162mm) B = 7 3/8" (187mm)
	130° to 150°: A = 5 7/8" (149mm) B = 6 7/8" (175mm)
	150° to 180°: A = 4 7/8" (124mm) B = 5 7/8" (149mm)
Hold open points up to maximum opening with Hold Open Arm	

Note: Optional mounting requires PA shoe, 4050A-62PA for Regular or Hold Open Arms.

# Mounting details

## EDA and CUSH mounting



<b>Clearance</b>	4050A-62EDA is 5 1/2" (140mm) from door face. 6" (152mm) for CUSH	
<b>Head frame</b>	Flush or rabbeted requires flush panel adapter, 4050A-419	
<b>CUSH Arm</b>	Requires CUSH shoe support, 4050A-30 for fifth screw anchorage where reveal is less than 3 1/16" (78mm)	
<b>Delay action</b>	Delays closing from 180° to approximately 70°. Delay time adjustable up to approximately 1 minute.	
<b>Maximum opening</b>	EDA arm can be templated for points at: 100°    CUSH arms can be templated for opening/hold open point at:	
	100°:    A = 6 3/8" (162mm) B = 7 3/4" (197mm)	85°:    A = 7 7/8" (200mm) B = 9 1/8" (232mm)
	100° to 130°: A = 4 7/8" (124mm) B = 6 1/4" (159mm)	90°:    A = 7 1/8" (181mm) B = 8 1/2" (216mm)
	130° to 150°: A = 3 7/8" (98mm) B = 5 1/4" (133mm)	95°:    A = 6 1/2" (165mm) B = 7 7/8" (200mm)
	150° to 180°: A = 2 7/8" (73mm) B = 4 1/4" (108mm)	100°:    A = 6" (152mm) B = 7 1/4" (184mm)
	Hold open points up to maximum opening with HEDA arm	105°:    A = 5 1/2" (140mm) B = 6 7/8" (175mm)
		110°:    A = 5" (127mm) B = 6 3/8" (162mm)

- Notes:
- SCUSH dead stop points are approximately 5° more than templated stop point
  - Hold open at templated stop points
  - 4050A Series closers ordered with EDA or CUSH arms include 4050A-201 fifth hole spacer to support the shoe

Introduction  
Product selection guide  
4010/4010T Series  
4020/4020T Series  
4030/4030T Series  
4040XP/4040XPT Series  
4050A/4050AT Series  
4110/4110T Series  
4000T Series

## Accessories

## Cylinders


**4050A-3071  
Cast aluminum cylinder  
assembly (CYL)**

- Non-handed
- Heavy duty


**4050A-3071 DEL  
Delay action cylinder  
(CYLDEL)**

- Cylinder used for delayed action closing
- Non-handed
- Heavy duty

## Covers


**4050A-72  
Plastic Cover (PC)**

- Non-handed
- Standard


**4050A-72MC  
Metal Cover (MC)**

- Non-handed
- Required for plated finishes and custom powder coat finishes
- Optional

## Alternate cover


**4050A-72ALT  
Alternate cover**

- Non-handed
- Optional, sold separately (not packed with closer)

## Arms


**4050A-3077  
Regular Arm (REGARM)**

- Non-handed
- Mounts pull side or top jamb with shallow reveal
- Includes PA shoe, 4050A-62PA required for parallel arm mounting


**4050A-3077L  
Long Arm (LONG)**

- Non-handed
- Includes long rod and shoe, 4050A-79LR for top jamb mount
- Optional


**4050A-3049  
Hold Open Arm (H)**

- Non-handed
- Mounts pull side or top jamb with shallow reveal
- Hold open adjustable shoe
- 4050A closer includes 4050A-62PA shoe required for parallel arm mounting
- Optional


**4050A-3049L  
Hold Open Long Arm  
(HLONG)**

- Non-handed
- Hold open adjustable shoe
- Includes long head and tube, 4050A-3048L for top jamb mount
- Optional


**4050A-3077EDA  
Extra Duty Arm (EDA)**

- Non-handed
- Features forged, solid steel main and forearm for potentially abusive installations


**4050A-3049EDA  
Hold Open Extra Duty Arm  
(HEDA)**

- Handed
- Features forged, solid steel main and forearm for potentially abusive installations
- Hold open function is adjusted at the shoe


**4050A-3077EDA/62G  
Extra Duty Arm with 62G  
Thick Hub Shoe (EDAW62G)**

- Non-handed
- Features forged, solid steel main and forearm for potentially abusive installations
- 62G shoe provides additional blade stop clearance for use with additional door hardware such as an overhead holder


**4050A-3049EDA/62G  
Hold Open Extra Duty Arm  
with 62G Thick Hub Shoe  
(HEDA62G)**

- Handed
- Features forged, solid steel main and forearm for potentially abusive installations
- 62G shoe provides additional blade stop clearance for use with additional door hardware such as an overhead holder
- Hold open function is adjusted at the shoe

## Accessories

### Arms (cont.)



**4050A-3077CNS  
Cush-n-Stop Arm (CUSH)**

- Non-handed
- Features solid forged steel main arm and forearm with stop in soffit shoe
- Optional



**4050A-3049CNS  
Hold Open Cush-n-Stop Arm (HCUSH)**

- Provides hold open function with templated stop/hold open points
- Handle controls hold open function



**4050A-3077SCNS  
Spring Cush-n-Stop Arm (SCUSH)**

- Non-handed
- For potentially abusive applications features solid forged steel main arm and forearm with spring loaded stop in the soffit shoe
- Optional



**4050A-3049SCNS  
Spring Hold Open Cush-n-Stop Arm (SHCUSH)**

- Non-handed
- For potentially abusive applications features solid forged steel main arm and forearm with spring loaded stop in the soffit shoe
- Handle controls hold open function
- Optional

### Installation accessories



**4050A-18  
Plate**

- Required for hinge side mount where top rail is less than 3 7/8" (98 mm)
  - Requires minimum 1 3/4" (44 mm) top rail



**4050A-18G  
Plate**

- Locates top jamb mounted closer flush with top of head frame face in flush ceiling condition
- Contact LCN Product Support for minimum head frame requirement



**4050A-18PA  
Plate**

- Required for parallel arm mounting where top rail is less than 5 3/4" (146 mm), measured from the stop
  - Requires 2 1/4" (57 mm) minimum top rail



**4050A-30  
CUSH shoe support**

- Provides anchorage for fifth screw used with CUSH arms, where reveal is less than 3 1/16" (78 mm)



**4050A-61  
Blade stop spacer**

- Required to lower parallel arm shoe to clear 1/2" (13 mm) blade stop



**4050A-419  
Flush panel adapter**

- Provides horizontal mounting surface for parallel arm shoe on single rabbeted or flush frame



**4050A-62A  
Auxiliary shoe**

- Requires a top rail of 7 13/16" (198 mm)
- Replaces -62PA for parallel arm mounting of regular arm with overhead holder/stop
- Optional



**4050A-62PA  
PA shoe**

- Required for parallel arm mounting

Introduction  
Product selection guide  
4010/4010T Series  
4020/4020T Series  
4030/4030T Series  
4040XP/4040XPT Series  
4050A/4050AT Series  
4110/4110T Series  
4000T Series

## Ordering information

### How-to-order 4050A Series closers

#### 1. Select finish

- Standard powder coat \_\_\_\_\_  
Matte Black (622), Aluminum (689), Dark Bronze (695), Statuary Bronze (690), Light Bronze (691), Black (693), or Brass (696).

### Closer will be shipped with:

- Standard cylinder
- Standard cover
- Tri pack arm (Rw/PA)
- Self-reaming and tapping screws  
(unless options listed below are selected)

### Closer options

#### Cylinder

- Delay Action Cylinder (CYLDEL)

#### Cover

- Metal Cover (MC)
- Alternate Cover (ALT)

#### Finish

- Custom powder coat (RAL) \_\_\_\_\_  
(handed metal cover required)
- SRI primer  
(use with powder coat finishes only)

#### Arm

- Regular Arm (REGARM)
- Long Arm (LONG)
- Hold Open Arm (H)
- Hold Open with Parallel Arm Bracket (HWPA)
- Hold Open Long Arm (HLONG)
- Extra Duty Arm (EDA)
- Extra Duty Arm with 62G Thick Hub Shoe (EDAW62G)

- Hold Open Extra Duty Arm (HEDA)
- Hold Open Extra Duty Arm with 62G Thick Hub Shoe (HEDA62G)
- Cush-n-Stop Arm (CUSH)
- Hold Open Cush-n-Stop Arm (HCUSH)
- Spring Cush-n-Stop Arm (SCUSH)
- Spring Hold Open Cush-n-Stop Arm (SHCUSH)

#### Optional screw packs

- Through Bolt<sup>1</sup> Self Reaming and Tapping Screws (TBSRT)
- Wood and Machine Screws (WMS)
- Through Bolt<sup>1</sup> Wood and Machine Screws (TBWMS)
- Torx Machine Screws (TORX)
- Through Bolt<sup>1</sup> and Torx Machine Screws (TBTRX)

#### Installation accessories

- Plate, 4050A-18
- Plate, 4050A-18G
- Plate, 4050A-18PA
- CUSH shoe support, 4050A-30
- Blade stop spacer, 4050A-61
- Auxiliary shoe, 4050A-62A
- Flush panel adapter, 4050A-419

#### Special template

- ST- \_\_\_\_\_

1. Specify door thickness if other than 1 3/4".

### Table of sizes

- 4050A cylinders are adjustable from size 1 through size 6 and is shipped set to size 3
- Closing power of 4050A Series closers may be adjusted 50%

#### Exterior (and vestibule) door width



#### Interior door width



➔ Indicates recommended range of door width for closer size.  
\* Adjustable Size 1 thru 5.

### Reduced opening force 4050A Series closers

**CAUTION!** Any manual door closer, including those certified by BHMA to conform to ANSI Standard A156.4, that is selected, installed and adjusted based on ADA or other reduced opening force requirements may not provide sufficient power to reliably close and latch a door.

Refer to Automatic Operators catalog for information on systems that meet reduced opening force requirements without effecting closing power.

	Door width	36"	42"	48"
	8.5* lbs.	4050A	4050A	4050A
	5.0* lbs.	4050A	4050A	4050A

\* Maximum opening force.